

**All around (360°) visibility of the sight-feed dome simplifies installation and adjustment**

**Screw-on bowl reduces maintenance time**

**Micro-Fog lubricator provides air line lubrication to one or more air driven tools or other devices**

**Nearly constant oil density output with varying air flow**



### Technical data

#### L07

#### Fluid:

Compressed air, neutral gases

NOTE: Contact technical support for use with other media.

#### Maximum pressure

Transparent bowl: 150 psig (10 bar)

Metal bowl: 250 psig (17 bar)

#### Operating temperature\*

Transparent bowl: 0° to 125°F  
(-20° to 50°C)

Metal bowl: 0° to 175°F

(-20° to 80°C)

\* Air supply must be dry enough to avoid ice formation at temperatures below 35°F (2°C)

#### Start point (i.e. minimum flow

required for lubricator operation):  
0.5 scfm (0.24 dm<sup>3</sup>/s) at 90 psig  
(6.3 bar) inlet pressure

#### Nominal bowl size:

1 fluid ounce (31 ml)

#### Drain connection:

Will fit 1/8-27 and 1/8-28 pipe thread

#### Materials

Body: zinc

Bowl:

Transparent: polycarbonate

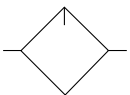
Metal: zinc

Sight-feed dome: transparent  
nylon

Elastomers: chloroprene, nitrile

### Ordering information

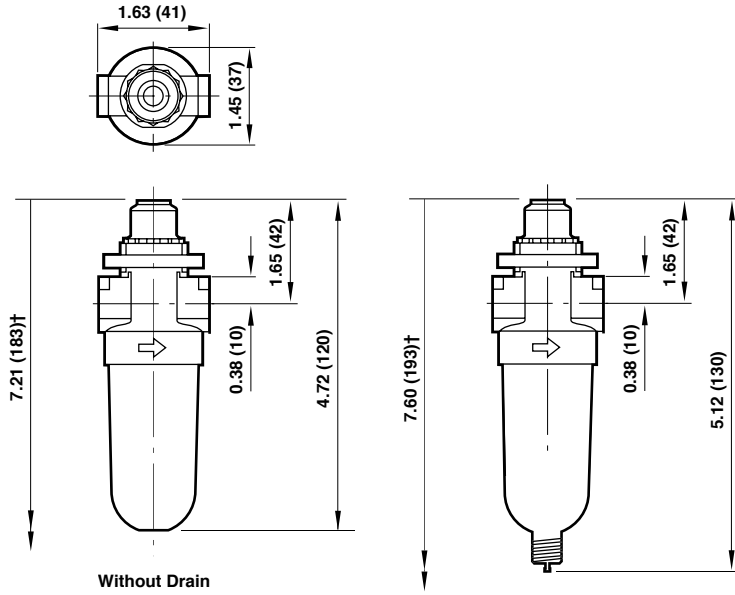
Models listed have PTF threads.

ISO Symbol	Port Size	Model Numbers	Flow scfm (dm <sup>3</sup> /s)*	Weight lbs (kg)
 L07 with drain	1/8"	L07-100-MPAA	10 (5.0 dm <sup>3</sup> /s)	0.28 (0.13)
	1/4"	L07-200-MPAA	14 (6.7 dm <sup>3</sup> /s)	0.28 (0.13)

\* Approximate flow at 90 psig (6.3 bar) inlet pressure and 7 psig (0.5 bar) pressure drop.

Port Size		Substitute		Threads		Substitute	
1/8"		1		PTF		A	
1/4"		2		ISO G parallel		G	
Lubricator Type		Substitute		Bowl and Drain		Substitute	
Micro-Fog		M		Transparent without drain		Q	
Metal with drain		M		Transparent with drain		A	
Flow		Substitute					
Unidirection		P					

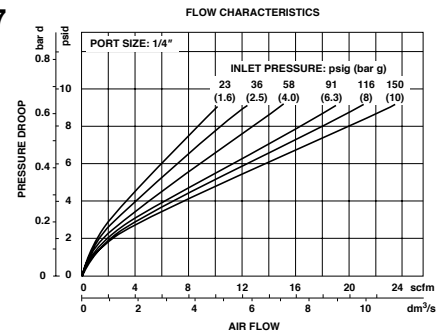
**L07-★00-MP★★**



Panel mounting hole diameter: 1.9" (30 mm)  
Maximum panel thickness: 0.25" (6 mm)  
† Minimum clearance to remove bowl.

### Typical Performance Characteristics

#### L07



### L07 Service Kits

Item	Type	Part number
Service kit	Seal and o-ring	3795-03
Replacement drain	Manual	773-03

Service kit includes o-ring, seal, and bowl o-ring.

Dimensions in inches (mm)