

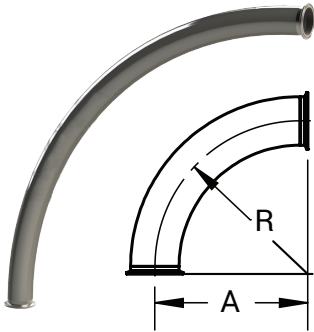
Clamp Sweep Elbows

Feature

- Standard comes without tangents; for tangents or 45° options, call Dixon Sanitary 800.789.1718



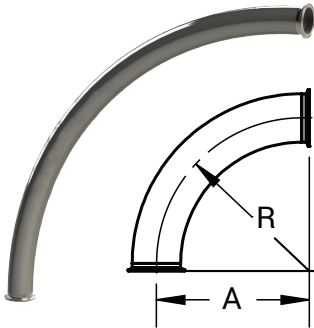
12" 90° Clamp Sweep Elbows - B2SXLMP



Tube O.D.	A (in)	R (in)	316L Stainless Steel Part #
1-1/2"	12.00	12.00	B2SXLMP12-R150
2"			B2SXLMP12-R200
2-1/2"			B2SXLMP12-R250
3"			B2SXLMP12-R300
4"			B2SXLMP12-R400



18" 90° Clamp Sweep Elbows - B2SXLMP

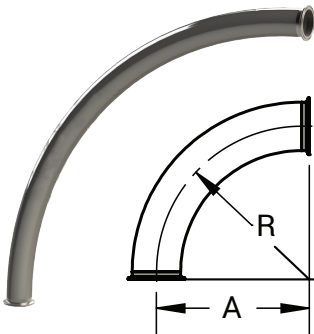


Tube O.D.	A (in)	R (in)	316L Stainless Steel Part #
1-1/2"	18.00	18.00	B2SXLMP18-R150
2"			B2SXLMP18-R200
2-1/2"			B2SXLMP18-R250
3"			B2SXLMP18-R300
4"			B2SXLMP18-R400

M



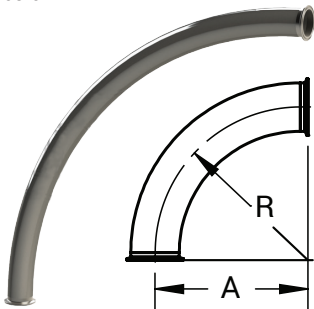
24" 90° Clamp Sweep Elbows - B2SXLMP



Tube O.D.	A (in)	R (in)	316L Stainless Steel Part #
1-1/2"	24.00	24.00	B2SXLMP24-R150
2"			B2SXLMP24-R200
2-1/2"			B2SXLMP24-R250
3"			B2SXLMP24-R300
4"			B2SXLMP24-R400



36" 90° Clamp Sweep Elbows - B2SXLMP



Tube O.D.	A (in)	R (in)	316L Stainless Steel Part #
3"	36.00	36.00	B2SXLMP36-R300
4"			B2SXLMP36-R400
6"			B2SXLMP36-R600