

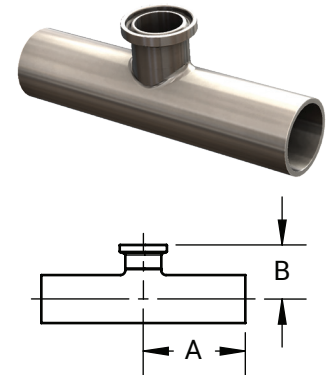
High Purity BioPharm Line

Weld x Weld x Clamp Short Outlet Reducing Tees - T7RWWMS



621
63-04

Tube O.D.	A (in)	B (in)	Nominal Wall (in)	PL Finish - SF1	PM Finish - SF4
3/4" x 1/2"	2.000	1.000	0.065	T7RWWMS075050PL	T7RWWMS075050PM
1" x 1/2"	2.125	1.125	0.065	T7RWWMS100050PL	T7RWWMS100050PM
1" x 3/4"	2.125	1.125	0.065	T7RWWMS100075PL	T7RWWMS100075PM
1-1/2" x 1/2"	2.375	1.375	0.065	T7RWWMS150050PL	T7RWWMS150050PM
1-1/2" x 3/4"	2.375	1.375	0.065	T7RWWMS150075PL	T7RWWMS150075PM
1-1/2" x 1"	2.375	1.375	0.065	T7RWWMS150100PL	T7RWWMS150100PM
2" x 1/2"	2.875	1.625	0.065	T7RWWMS200050PL	T7RWWMS200050PM
2" x 3/4"	2.875	1.625	0.065	T7RWWMS200075PL	T7RWWMS200075PM
2" x 1"	2.875	1.625	0.065	T7RWWMS200100PL	T7RWWMS200100PM
2" x 1-1/2"	2.875	1.625	0.065	T7RWWMS200150PL	T7RWWMS200150PM
2-1/2" x 1/2"	3.125	1.875	0.065	T7RWWMS250050PL	T7RWWMS250050PM
2-1/2" x 3/4"	3.125	1.875	0.065	T7RWWMS250075PL	T7RWWMS250075PM
2-1/2" x 1"	3.125	1.875	0.065	T7RWWMS250100PL	T7RWWMS250100PM
2-1/2" x 1-1/2"	3.125	1.875	0.065	T7RWWMS250150PL	T7RWWMS250150PM
2-1/2" x 2"	3.125	1.875	0.065	T7RWWMS250200PL	T7RWWMS250200PM
3" x 1/2"	3.375	2.125	0.065	T7RWWMS300050PL	T7RWWMS300050PM
3" x 3/4"	3.375	2.125	0.065	T7RWWMS300075PL	T7RWWMS300075PM
3" x 1"	3.375	2.125	0.065	T7RWWMS300100PL	T7RWWMS300100PM
3" x 1-1/2"	3.375	2.125	0.065	T7RWWMS300150PL	T7RWWMS300150PM
3" x 2"	3.375	2.125	0.065	T7RWWMS300200PL	T7RWWMS300200PM
3" x 2-1/2"	3.375	2.125	0.065	T7RWWMS300250PL	T7RWWMS300250PM
4" x 1/2"	4.125	2.625	0.083	T7RWWMS400050PL	T7RWWMS400050PM
4" x 3/4"	4.125	2.625	0.083	T7RWWMS400075PL	T7RWWMS400075PM
4" x 1"	4.125	2.625	0.083	T7RWWMS400100PL	T7RWWMS400100PM
4" x 1-1/2"	4.125	2.625	0.083	T7RWWMS400150PL	T7RWWMS400150PM
4" x 2"	4.125	2.625	0.083	T7RWWMS400200PL	T7RWWMS400200PM
4" x 2-1/2"	4.125	2.625	0.083	T7RWWMS400250PL	T7RWWMS400250PM
4" x 3"	4.125	2.625	0.083	T7RWWMS400300PL	T7RWWMS400300PM
6" x 3"	5.625	3.625	0.109	T7RWWMS600300PL	T7RWWMS600300PM
6" x 4"	5.625	3.750	0.109	T7RWWMS600400PL	T7RWWMS600400PM

BPE Table DT-4.1.2-7
ASME BPE 2019

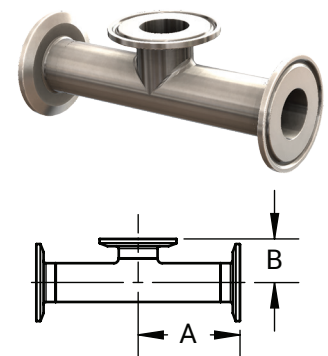
M

Clamp x Clamp x Clamp Short Outlet Tees - T7MPS



621
63-04

Tube O.D.	A (in)	B (in)	PL Finish - SF1	PM Finish - SF4
1/2"	2.375	1.000	T7MPS-050PL	T7MPS-050PM
3/4"	2.500	1.125	T7MPS-075PL	T7MPS-075PM
1"	2.625	1.125	T7MPS-100PL	T7MPS-100PM
1-1/2"	2.875	1.375	T7MPS-150PL	T7MPS-150PM
2"	3.375	1.625	T7MPS-200PL	T7MPS-200PM
2-1/2"	3.625	1.875	T7MPS-250PL	T7MPS-250PM
3"	3.875	2.125	T7MPS-300PL	T7MPS-300PM
4"	4.750	2.750	T7MPS-400PL	T7MPS-400PM
6"	7.125	4.625	T7MPS-600PL	T7MPS-600PM

BPE Table DT-4.1.2-5
ASME BPE 2019

NOTE: BPE 2019 Specifications

PL Finish – SF1

O.D. = 32Ra Mechanically Polished

I.D. = 20Ra Mechanically Polished

PM Finish – SF4

O.D. = 32Ra Mechanically Polished

I.D. = 15Ra Mechanically Polished and Electropolished