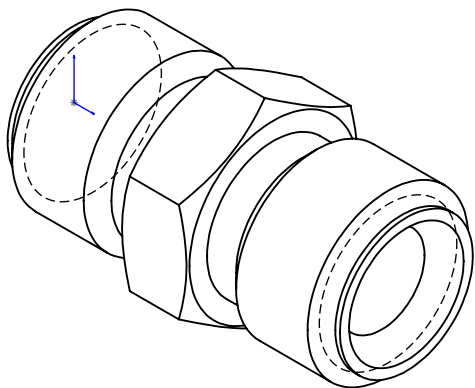
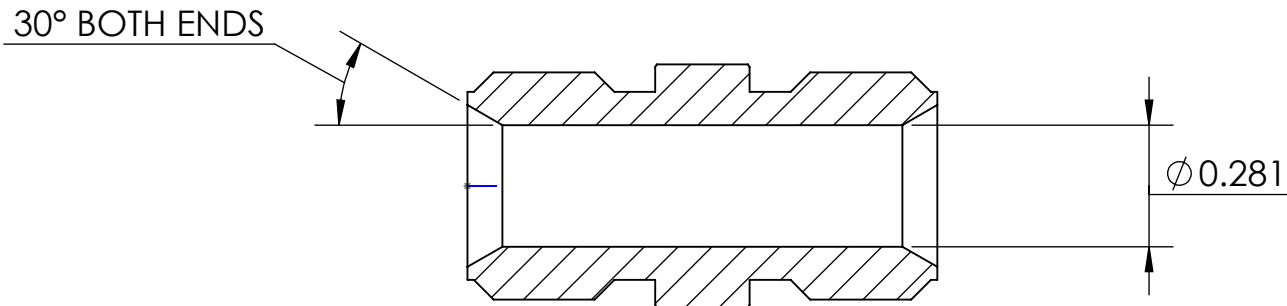
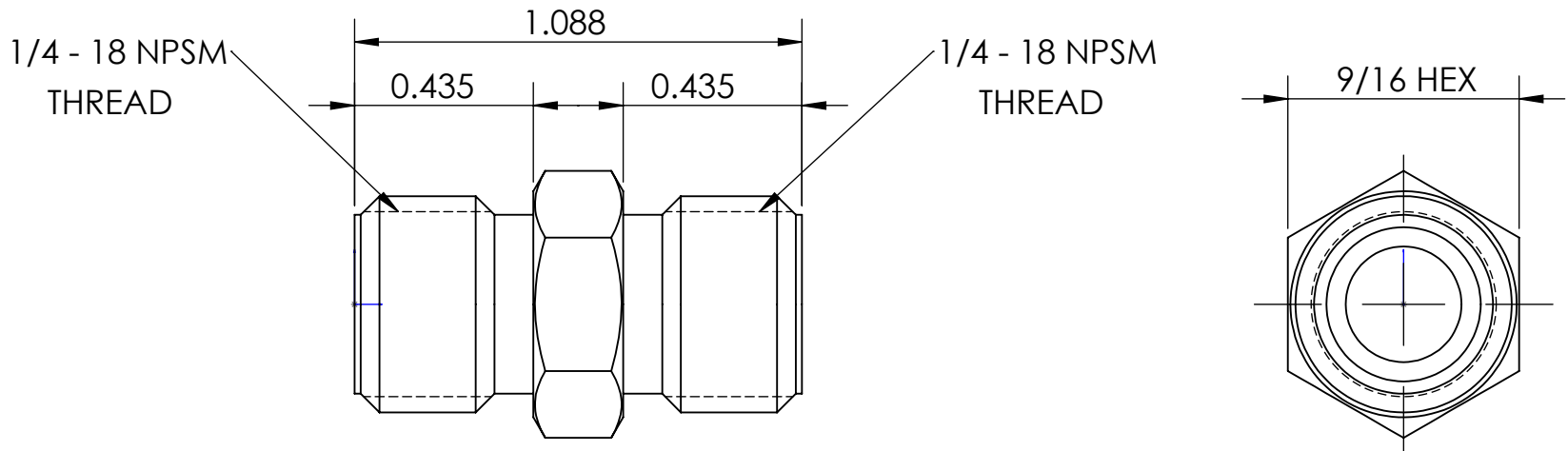



LINE DRAWING NOT FOR PRODUCTION PURPOSES



THIS DRAWING CONTAINS INFORMATION DEEMED PROPRIETARY TO DIXON BRASS AND IS SO TO BE USED ONLY FOR THE PURPOSE FOR WHICH IT IS SUBMITTED, AND FURTHER, SHALL NOT BE COPIED IN WHOLE OR IN PART WITHOUT EXPRESS WRITTEN PERMISSION FIRST OBTAINED FROM DIXON BRASS.				
UNLESS OTHERWISE SPECIFIED:		 The Right Connection™	DRAWN P. MONAGHAN APPROVED	DATE 4/14/15 DATE
DIMENSIONS ARE IN INCHES TOLERANCES: ANGLES: ±0°30' .X (±.015) .XX (±.010) .XXX (±.005) DIMENSIONS PER ANSI Y14.5			Dixon Brass Westmont, Illinois USA	ECO NO.
TITLE: MALE UNION NPSM TO NPSM		DRAWING NOT REPRODUCED TO SCALE		
SIZE A	DWG. NO. 1760404C	REV D		