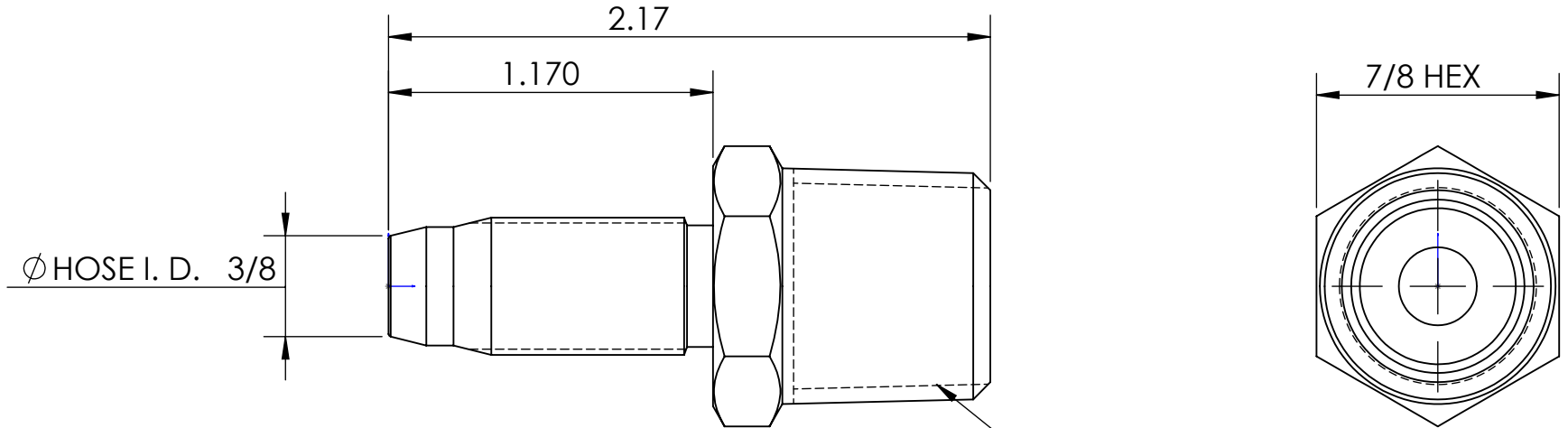
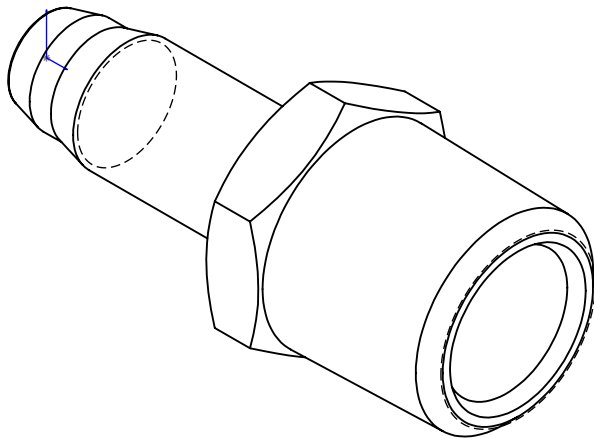
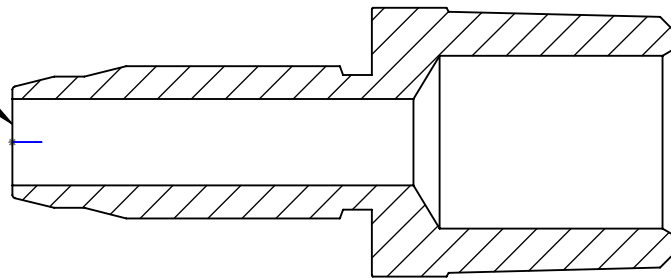


LINE DRAWING NOT FOR PRODUCTION PURPOSES



1/2 - 14 NPTF  
THREAD

THRU HOLE DIA. .281



THIS DRAWING CONTAINS INFORMATION DEEMED PROPRIETARY TO DIXON BRASS AND IS SO TO BE USED ONLY FOR THE PURPOSE FOR WHICH IT IS SUBMITTED, AND FURTHER, SHALL NOT BE COPIED IN WHOLE OR IN PART WITHOUT EXPRESS WRITTEN PERMISSION FIRST OBTAINED FROM DIXON BRASS.				
UNLESS OTHERWISE SPECIFIED:				
DIMENSIONS ARE IN INCHES		 The Right Connection™	<b>Dixon Brass</b> Westmont, Illinois USA	
TOLERANCES: ANGLES: ±0°30' .X (±.015) .XX (±.010) .XXX (±.005)			DRAWN P. MONAGHAN APPROVED	DATE 4/28/15 DATE
DIMENSIONS PER ANSI Y14.5		TITLE:	DRAWING NOT REPRODUCED TO SCALE	
		REUSABLE MALE STEM	SIZE <b>A</b>	DWG. NO. 1820608S
				REV B