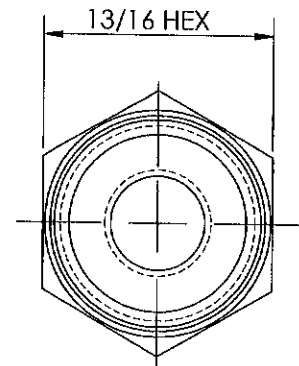
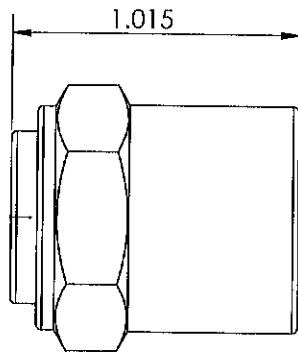
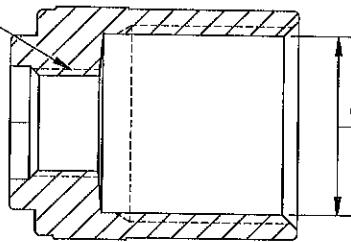


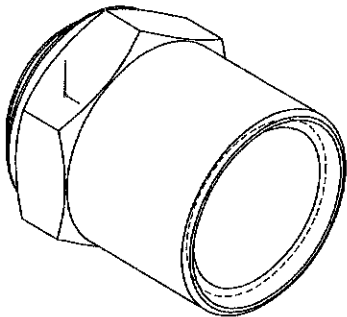
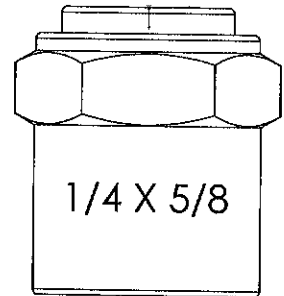
LINE DRAWING NOT FOR PRODUCTION PURPOSES




3/8 - 24 UNF-2B  
HOSE I.D. 1/4

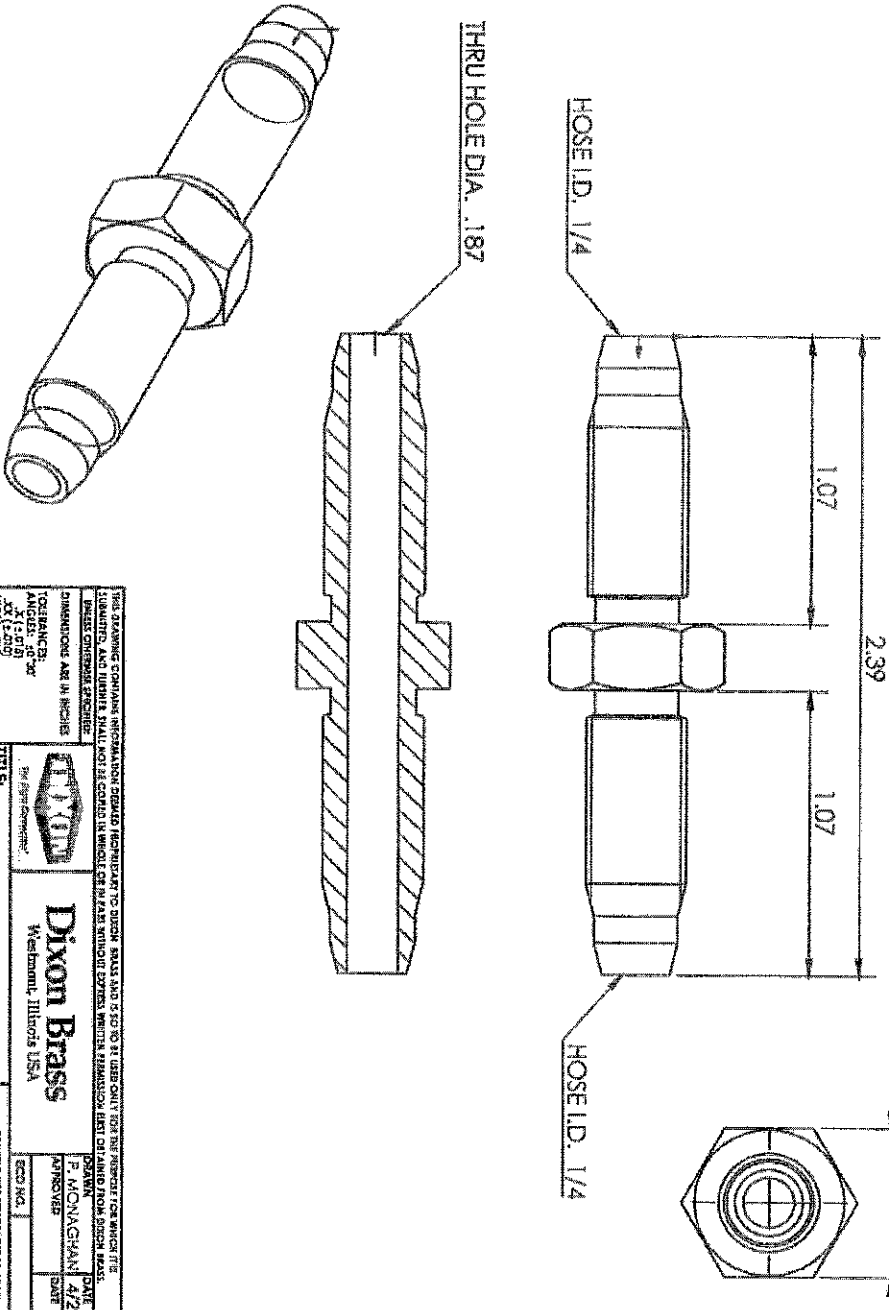


Ø HOSE O.D. 5/8



<small>THIS DRAWING CONTAINS INFORMATION DEEMED PROPRIETARY TO DIXON BRASS AND IS SO TO BE USED ONLY FOR THE PURPOSE FOR WHICH IT IS SUBMITTED, AND FURTHER, SHALL NOT BE COPIED IN WHOLE OR IN PART WITHOUT EXPRESS WRITTEN PERMISSION FIRST OBTAINED FROM DIXON BRASS.</small>			
<small>UNLESS OTHERWISE SPECIFIED:</small>			
<small>DIMENSIONS ARE IN INCHES</small> <small>TOLERANCES:</small> <small>ANGLES: ±0°30'</small> <small>.X (±.015)</small> <small>.XX (±.010)</small> <small>.XXX (±.005)</small> <small>DIMENSIONS PER ANSI Y14.5</small>	 <b>Dixon Brass</b> <small>Westmont, Illinois USA</small>	<small>DRAWN</small> P. MONAGHAN <small>APPROVED</small> ECO NO.	<small>DATE</small> 4/17/15 <small>DATE</small>
<small>TITLE:</small> REUSABLE FERRULE		<small>DRAWING NOT REPRODUCED TO SCALE</small>	
<small>SIZE</small> <b>A</b>	<small>DWG. NO.</small> 1800410F	<small>REV</small> B	

LINE DRAWING NOT FOR PRODUCTION PURPOSES



<p>THIS DRAWING CONTAINS INFORMATION REGARDING INFRINGEMENT TO WHICH DIXON BRASS AND F. MONAGHAN ARE THE PROPRIETORS. ANY REPRODUCTION OF THIS DRAWING WITHOUT EXPRESS WRITTEN PERMISSION FROM DIXON BRASS AND F. MONAGHAN IS PROHIBITED.</p>	
<p>ALL DIMENSIONS ARE IN INCHES</p>	
<p>TOLERANCES:</p>	
<p>XX ±.0005</p>	
<p>XXX ±.001</p>	
<p>XXXX ±.002</p>	
<p>DIMENSIONS PER ANG 11.43</p>	
<p><b>DIXON</b> The Dixon Corporation</p>	
<p><b>Dixon Brass</b> Mechanville, Illinois USA</p>	
<p>DATE: 4/27/15</p>	
<p>APPROVER: F. MONAGHAN</p>	
<p>DATE: 4/27/15</p>	
<p>ECN NO. 1</p>	
<p>REVISIONS NOT APPROVED TO SCALE</p>	
<p>SIZE: A</p>	<p>DWG. NO.: 1860404S</p>
<p>REV: B</p>	

REUSABLE  
HOSE SPLICER