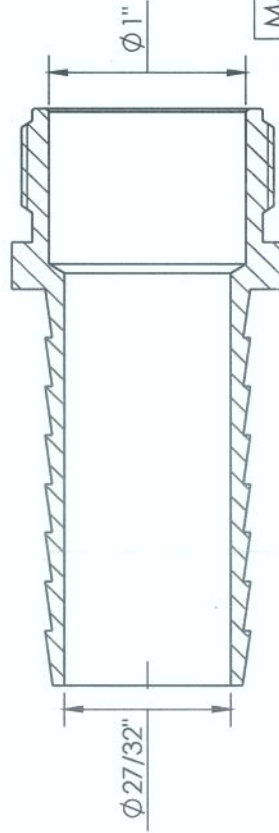
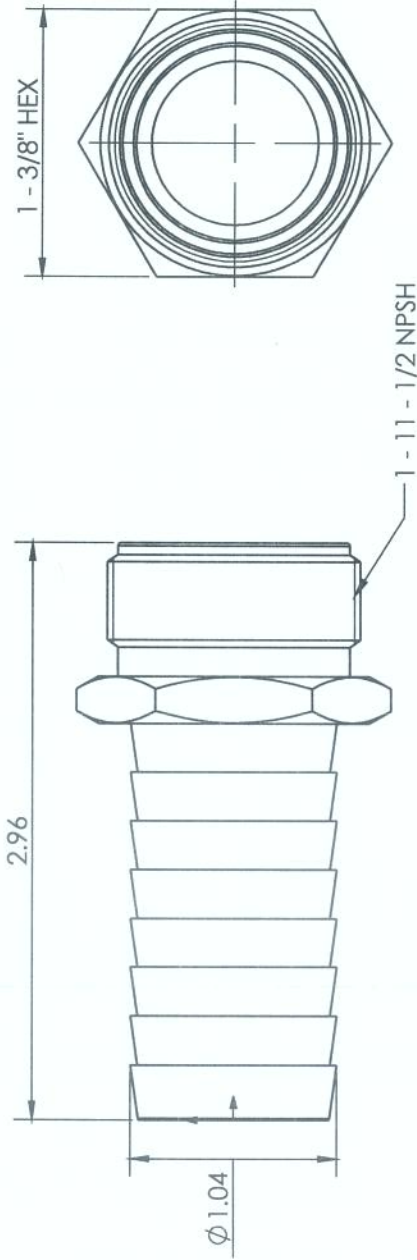


LINE DRAWING NOT FOR PRODUCTION PURPOSES



MATERIAL 1 - 3/8" HEX ALLOY 360 BRASS

This drawing is owned by Dixon Valves Coupling Co. and shall be returned upon demand. It is loaned on condition that it shall not be copied or reproduced or submitted to others without the owners consent. In accepting it, subject to this condition, the recipient further agrees that this drawing or any design detail or information contained herein shall be held in confidence and shall not be used for any purpose other than that for which it was prepared. In any event, the recipient does not agree to this drawing or any design detail or information contained herein shall be returned to the recipient immediately. The information contained in this drawing is subject to change without notice.

	DRAWN	DATE
	H. BARRERA	12/19/17
APPROVED		DATE
ECO NO.		

DO NOT SCALE THIS DRAWING		
SIZE	DWG. NO.	REV
A	5931616C	A

TITLE: 1" BARB LONG SHANK GARDEN HOSE MALE