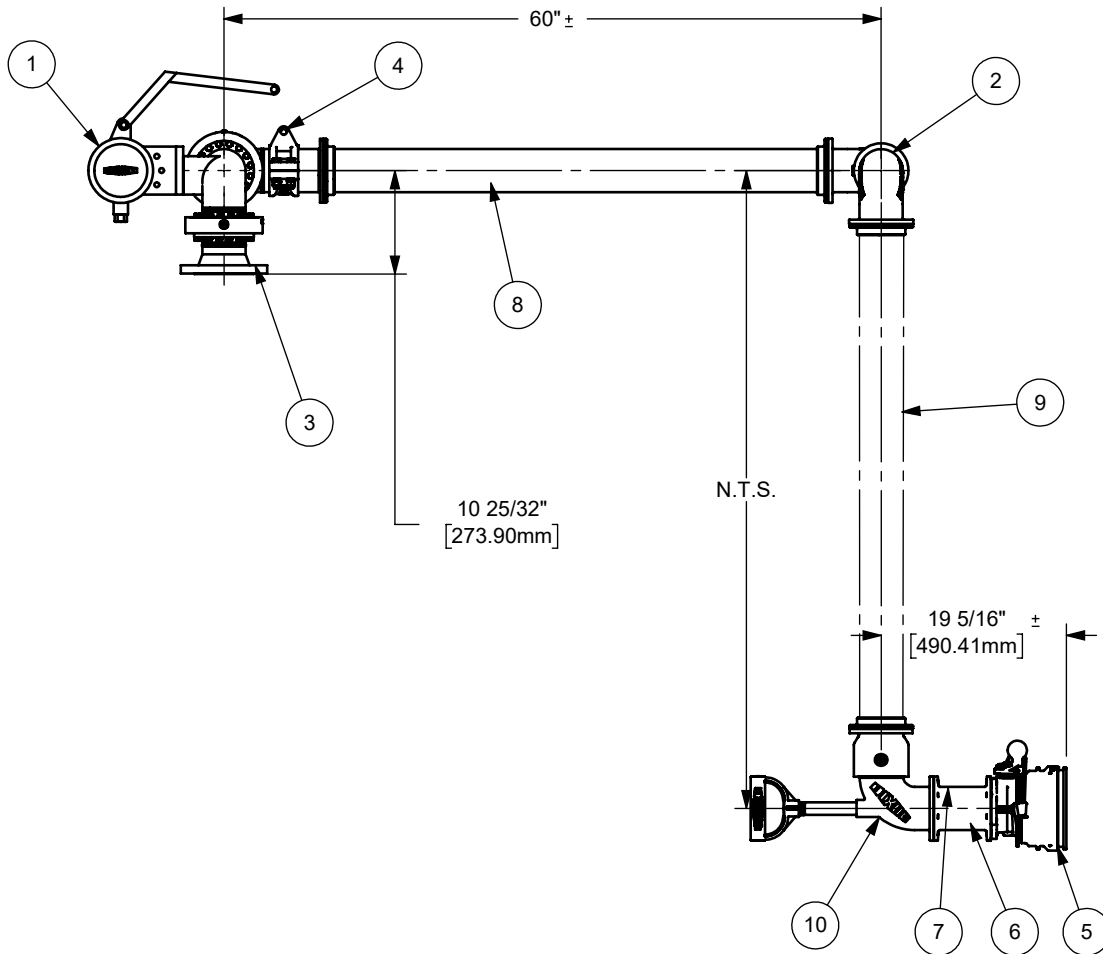
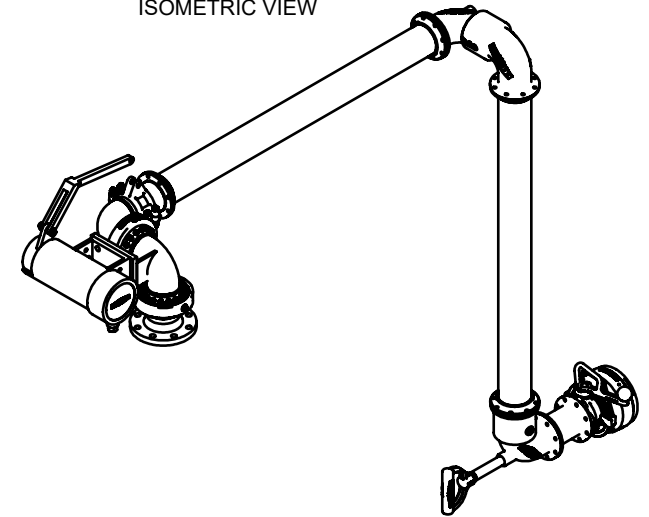


ISOMETRIC VIEW



10	43HTXFAL	4" STYLE 30 SWIVEL WITH TTMA FLANGES AND D- HANDLE	ALUMINUM	1
9	LEG B - SUPPLIED BY OTHERS	N/A	N/A	1
8	4LAL-TXTF-46	SCHEDULE 40 PIPE WITH TTMA FLANGES	ALUMINUM	1
7	WD401ALVB	FLANGED BUTTERFLY VALVE	ALUMINUM	1
6	5201-SFI	SIGHT GLASS	ALUMINUM	1
5	5300B API	API COUPLER	MISC.	1
4	ESB-CLAMP-4	COUNTERBALANCE ARM CLAMP	IRON	1
3	SF450FGXTFCS	4" SPLITFLANGE STYLE 50 SWIVEL WITH 150 lbs. FLANGE X TTMA	CARBON STEEL	1
2	440TFXFAL11000	4" Style 40 O-ring with TTMA flanges	ALUMINUM	1
1	ESB1-F	Medium Spring Counterbalance	MISC.	1
ITEM NO.	PART NUMBER	DESCRIPTION	MATERIAL	QTY.



The Right Connection™

dixonvalve.com

**PROPRIETARY AND CONFIDENTIAL**

This drawing is owned by Dixon Valve & Coupling Co. and shall be returned upon demand. It is loaned on condition that it shall not be copied or reproduced or submitted to others without the owners consent. In accepting it subject to this condition the recipient further agrees that this drawing or any design detail or concept disclosed herein shall not be used in any way detrimental to or in competition with the owner. If the recipient does not agree to the terms of this agreement they shall return this drawing immediately. The information contained in this drawing is subject to change without notice.

**DO NOT SCALE THIS DRAWING**

**DIXON U.S.A.**

THE RIGHT CONNECTION™

TITLE: 4" LEFT HAND HORIZ. STYLE LOADING ARM

MATERIAL: SEE B.O.M.

PART NUMBER: **F40605A42374009**