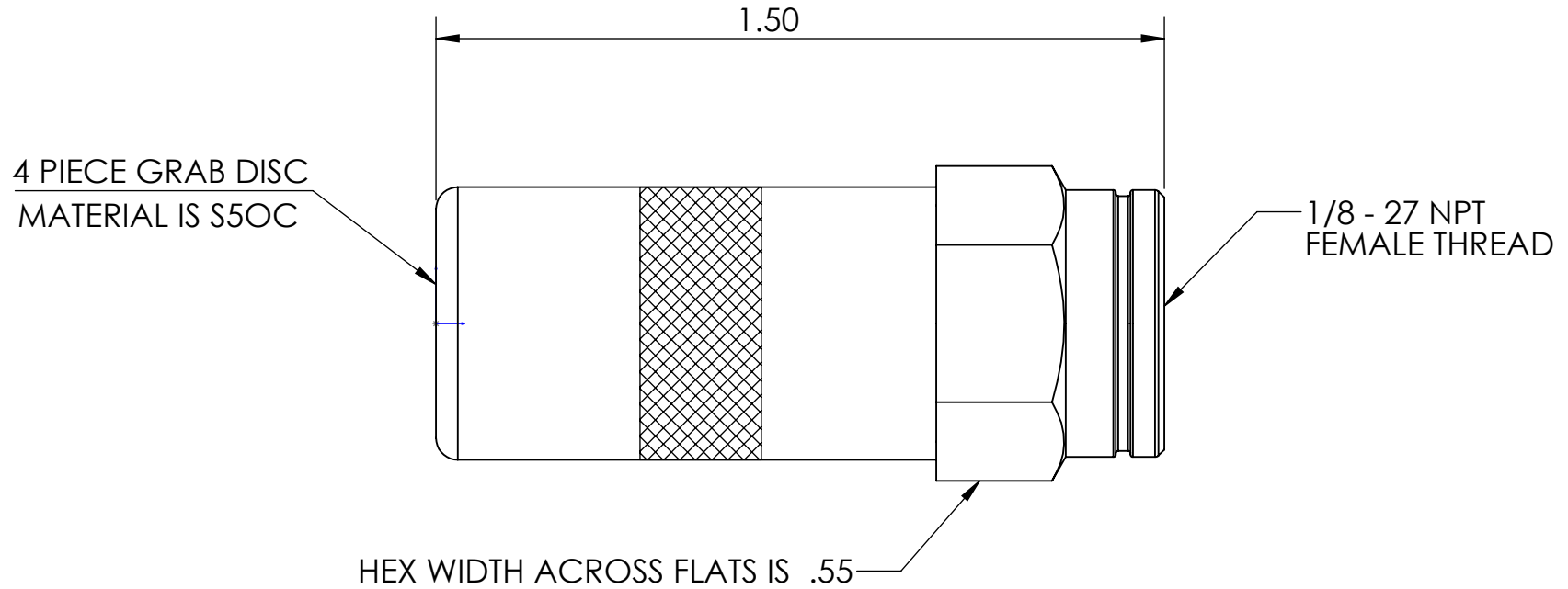


LINE DRAWING NOT FOR PRODUCTION PURPOSES

WORKING PRESSURE: 3000 P.S.I.



INCLUDES:

STEEL STEM
SEATS SC WASHER
GLUE RING
SPRING
STEEL BEADS

MATERIAL : ZINC PLATED 12L14 STEEL

This drawing is owned by Dixon Valve & Coupling Co. and shall be returned upon demand. It is loaned on condition that it shall not be copied or reproduced or submitted to others without the owners consent. In accepting it, subject to this condition, the recipient further agrees that this drawing or any design detail or concept disclosed herein shall not be used in any way detrimental to or in competition with the owner. If the recipient does not agree to the terms of this agreement they shall return this drawing immediately. The information contained in this drawing is subject to change without notice.

 <small>The Right Connection™</small>	Dixon Brass Westmont, Illinois USA	DRAWN P. MONAGHAN	DATE 3/21/24
		APPROVED	DATE
		ECO NO.	

TITLE: GREASE HOSE COUPLER WITH BALL CHECK - VALVED SHUTOFF		DO NOT SCALE THIS DRAWING	
SIZE A	DWG. NO. GWHC	REV B	