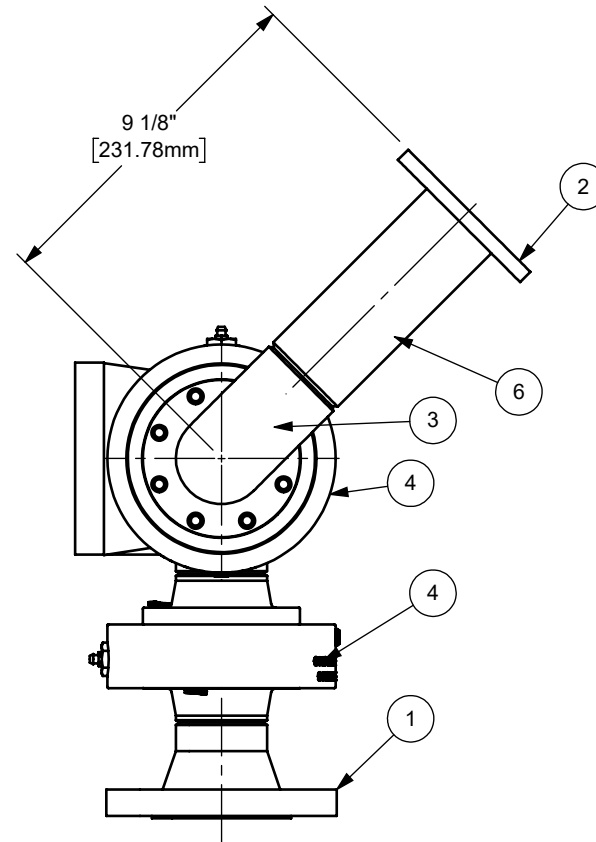


8	2SFCBBRACKET2	ELBOW BRACKET	CARBON STEEL	1
7	2SFCBBRACKET1	NOSE PIECE BRACKET	CARBON STEEL	1
6	2LCS-WXW-6	2 INCH SCHED. 40 6 INCH LONG	CARBON STEEL	1
5	CBOPWTHREADED	COUNTERBALANCE MOUNTING BRACKET	CARBON STEEL	1
4	400702	SPLIT FLANGE SWIVEL JOINT 2 IN	CARBON STEEL	2
3	2ELLRCS	2" LONG RADIUS ELBOW	CARBON STEEL	2
2	TTMA-32	2" TANK TRUCK FLANGE	CARBON STEEL	1
1	WN200	2" WELD NECK FLANGE	CARBON STEEL	1
ITEM NO.	PART NUMBER	DESCRIPTION	MATERIAL	QTY.



The Right Connection™

dixonvalve.com

**PROPRIETARY AND CONFIDENTIAL**

This drawing is owned by Dixon Valve & Coupling Co. and shall be returned upon demand. It is loaned on condition that it shall not be copied or reproduced or submitted to others without the owners consent. In accepting it subject to this condition the recipient further agrees that this drawing or any design detail or concept disclosed herein shall not be used in any way detrimental to or in competition with the owner. If the recipient does not agree to the terms of this agreement they shall return this drawing immediately. The information contained in this drawing is subject to change without notice.

**DO NOT SCALE THIS DRAWING**

**DIXON**  **U.S.A.**

THE RIGHT CONNECTION™

TITLE:  
2" STYLE 50 SWIVEL WITH COUNTERBALANCE MOUNT AND 150 lbs X TTMA FLANGES

MATERIAL:  
CARBON STEEL

PART NUMBER:  
**SF250FGTFCS10CB**