



Model ASHV1015 Sprinkler Hose Valve Installation Instructions

Intended Use

Dixon Powhatan® brand sprinkler hose valves are intended to provide connection to a water source for use with sprinkler system equipment. Working conditions are limited to the liquid range of water. As these valves have resilient seals, they are suitable for either wet or dry systems. They offer the advantage of gradual, controlled opening and closing, reducing the possibility of a "water hammer".

Before Installation

Connection on the inlet side is 1" male NPT thread. The standard angled outlet connection is 1-1/2" male NH in the nominal valve size for hose connection for sprinkler systems. Other threads available upon request.

Ensure that the inlet and outlet threads are undamaged and free of debris. Check operation of the valve that it fully opens and closes smoothly and that the stem has not been bent in transport.

Installation

The sprinkler hose valve installation and use are in accordance with NFPA 13, NFPA 13R, NFPA 14 or NFPA 20.

Hose valve equivalent length values: Model: ASHV1015 Equivalent length: 4.8 ft

System should be flushed prior to installation.

Threaded connections: Clean the male and female threads at connection point. Apply thread sealant, paste or tape as approved by the AHJ, to the male threads to which the valve is to be connected. Rotate the entire valve onto the threaded male pipe connection. Tighten to the desired orientation using a wrench on the hex on the inlet side of the valve. Do not insert a bar or other such object into the outlet of the valve to tighten.

After Installation

Close the valve fully and apply system pressure. Maximum working pressure is **175 PSI (12.1 Bar, 1.21 Mega Pascal)**. In wet sprinkler systems, air may be purged by loosening the stuff nut at the top of the valve. Re-tighten the stuff nut once the air has been purged. Check for any leakage at the inlet connection. If there is any leakage, the valve must be removed, and the sealant reapplied.

Maintenance

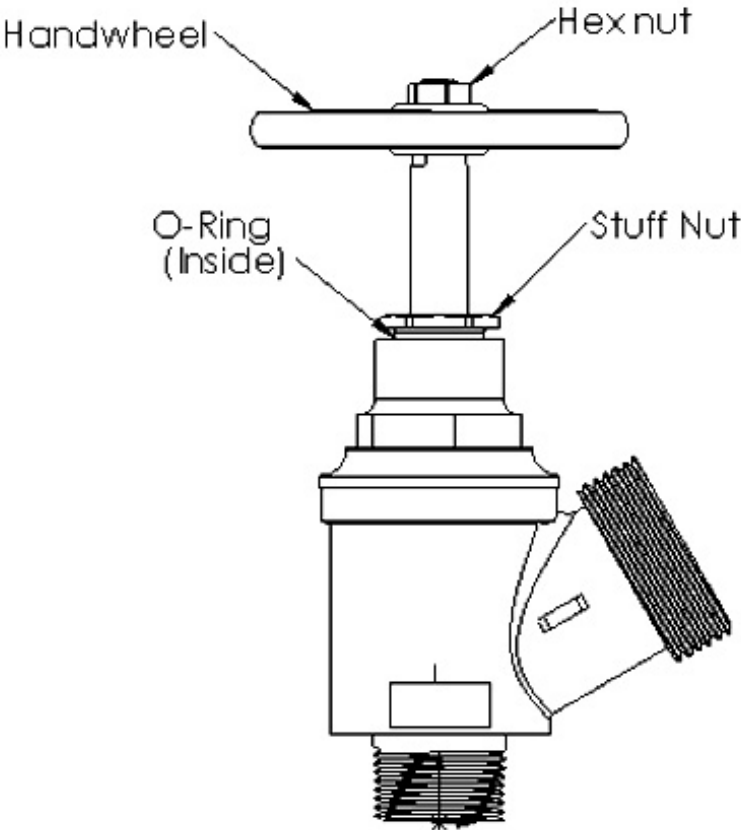
Dixon® sprinkler hose valves do not require regular maintenance under normal use. They should be operated at least once a year to ensure the mechanism operates freely.

Service

The only wear part that may require replacement in regular service is the packing O-ring. To access it, close the valve and turn off any upstream water supply. Loosen the hex nut above the handwheel and remove and set aside the nut and the ID tag. Remove the handwheel. Handwheel may be tapped parallel to the stem with a rubber mallet if it does not come off by hand. Do not strike the handwheel sideways as this may damage the stem. Remove the stuff nut to access the O-ring. If the O-ring does not come out easily, do not pry with a metal object as this may damage the sealing surfaces. Plastic or wood may be used as a pick to loosen the O-ring. Opening the valve will also bring out the O-ring as the stem rises.

The valve should be tested and maintained in accordance with NFPA 25.

Sprinkler Hose Valve Breakdown



Dixon®
325 Arbor Court
Winchester, VA 22602
540-535-2181
dixonvalve.com